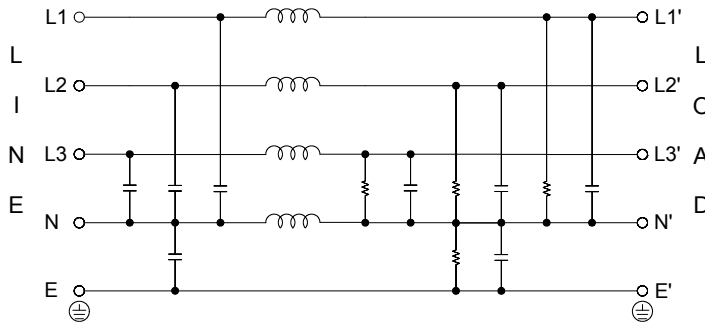


Technical data and measuring conditions

- Rated current: 8~160A@50°C
- Max. continuous operating voltage: 3x600 / 347VAC
- Operating frequency: dc to 60Hz
- Operating temp.: -25°~ + 100° (25/100/21)
- Hi-pot. test voltage (for 2 sec.):
 - P/N - E: 3000 VDC
 - P to P: 2250 VDC
 - P to N: 1300 VDC
- Protection category: IP20
- Flammability corresponding to: UL 94V-2 or better
- MTBF@50°C/400V(Mill-HB-217F): >410,000 hours
- Design corresponding to: UL1283, UL60939, CSA 22.2 No.8-13, IEC/EN60939
- Overload capability: 4 x rated current at switch on; 1.5 x rated current for 1 min., once per hour



Electrical schematic



Marketing applications

- Three-phase four-wire networks
- Automation
- Power distribution box
- Mainframe operation system
- UPS

Features

- Excellent conducted attenuation performance
- Current rating 8~160A
- Very low leakage current values
- Extremely compact and lightweight design
- Integrated nut is in hinged cover for quick, reliable ring lug wiring
- Touch-safe connections with hinged safety covers

Filter selection table

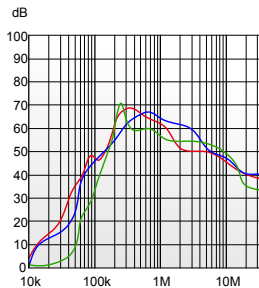
Filter PRJ No.	Rated Current @50°C [A]	Leakage Current** @600VAC/50Hz [mA]	Power Loss @25°C/50Hz [W]
08SCB56H	8	0.6	2.7
16SCB56H	16	0.6	5
25SCB56H	25	0.6	9.8
36SCB56H	36	0.6	11.3
64SCB56H	64	0.6	17.2
80SCB56H	80	0.6	14.5
120SCB56H	120	0.6	25
160SCB56H	160	1.3	26.9

*Calculated at rated current, 600 VAC and cos phi = 0.8. The exact value depends upon the efficiency of the drive, the motor and the entire application.

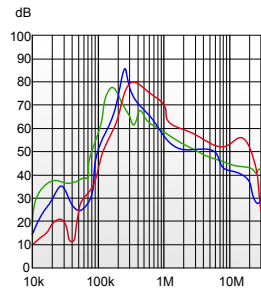
**Standardized calculated leakage current acc. IEC60939 under normal operating conditions.

Filter attenuation Insertion loss (dB) in 50Ω system CISPR 17

Common mode / Asymmetrical (P-E)

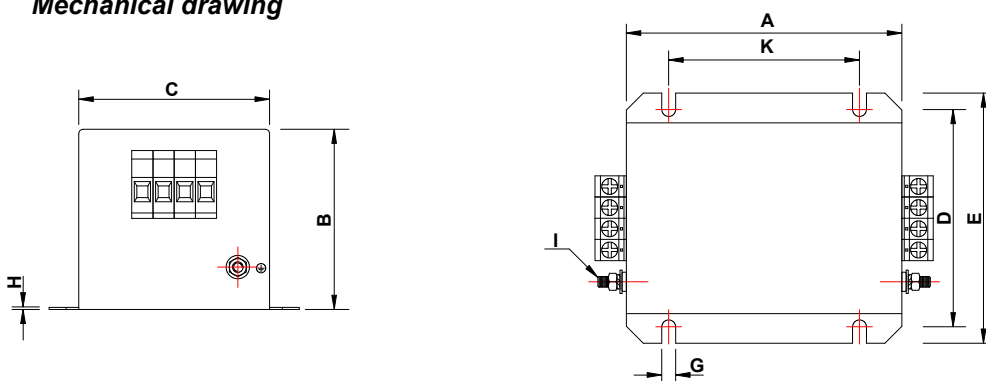


Differential mode / Symmetrical (P-P)



8A~36A ————
 64~80A ————
 120~160A ————

Mechanical drawing



Dimensions (unit: mm) Tolerances according to ISO 2768-m / EN 22768-m

Code	8~16A	25~36A	64A	80A	120A	160A
A	110	130	140	170	210	200
B	70	85	115	125	125	130
C	82	90	115	135	140	160
D	94.5	102.5	127.5	147.5	153.5	173.5
E	110	118	143	163	170	190
G	6.5	6.5	6.5	6.5	6.5	6.5
H	1	1	1	1	1	1
I	M6	M6	M10	M10	M10	M10
K	70	90	100	120	160	150

Input / Output connectors cross sections

Input / Output connectors	8~16A	25~36A	64A	80~120A	160A
Solid wire	6mm ²	16mm ²	35mm ²	50mm ²	95mm ²
Flex wire	4mm ²	10mm ²	25mm ²	50mm ²	95mm ²
AWG type wire	AWG 10	AWG 6	AWG 2	AWG 1/0	AWG 4/0
Recom. torque	0.6~0.8Nm	1~1.2Nm	1.8~2Nm	2.3~2.5Nm	17~20Nm